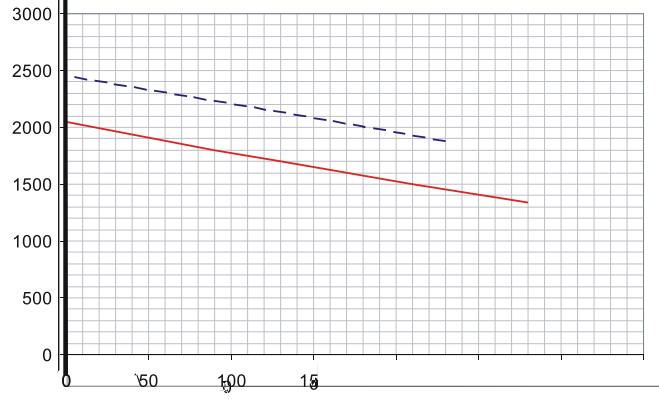
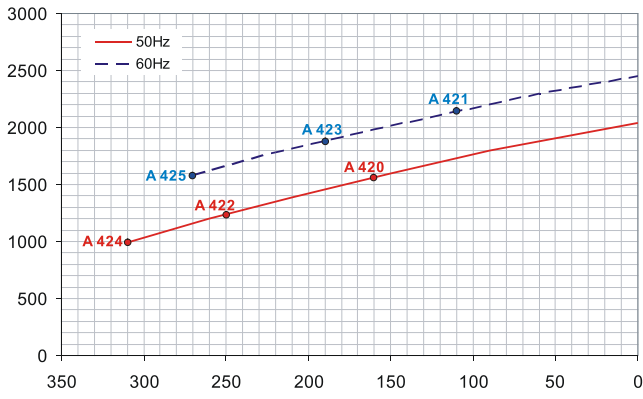
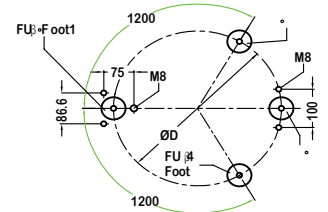
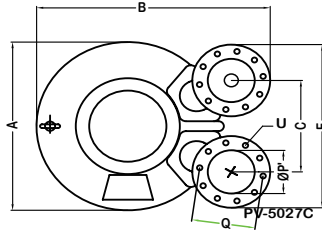
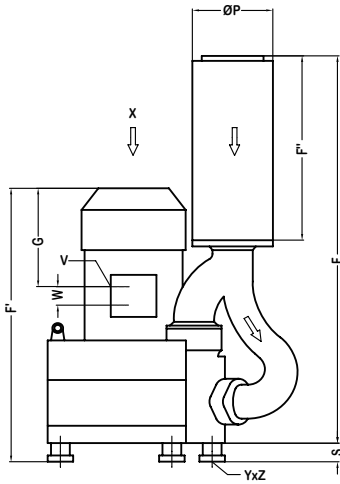


G2R 943B



G2RB 943.



Type	Phases	A	B	C	D	E	F	F'	F''	G	P	P'	Q	S	U	V	W	YxZ
2RB 943-7GH27 ¹⁾	3 ~	615	723	307	490	526	1201	848	578	291	219	135	201	58	M8x40	4xM40x1.5	54	M12x10.5
		615	723	307	490	526	1201	848	578	291	219	135	201	58	M8x40	4xM40x1.5	54	M12x10.5
		615	723	307	490	526	1201		578		219	135	201					

G2R 943 B

3~ 50/60 Hz IP55	F										



				<input type="checkbox"/> <input type="checkbox"/>
3~				

94/4EG
3G 3/2G 3D 3/2D

特殊定制：定制防泄漏、防爆、防腐蚀、热保护

2RB : (LVD) 2006/95/EC
EN60034-1: 2004, (EN) EN55014-1/2, EN61000-2/-3/-4/-6

DIN EN 60034 / DIN IEC 34-1 , F.

1) UL UL1004-1
2)
3) () () DIN EN 21680 1
() ()

+/- 5% +/- 10%
+/- 5% . 90%
+/- 10%
UL -10% -6%
=/- 2%